

10/100BASE-T FIVE TRANSFORMER MODULES

- ◆ Compliant with IEEE802.3 and ANSI X3.263 standards
Including 350uH OCL with 8mA Bias.
- ◆ Five Channel Interface For 10/100 Mbps Ethernet Applications
- ◆ Comply With ROHS

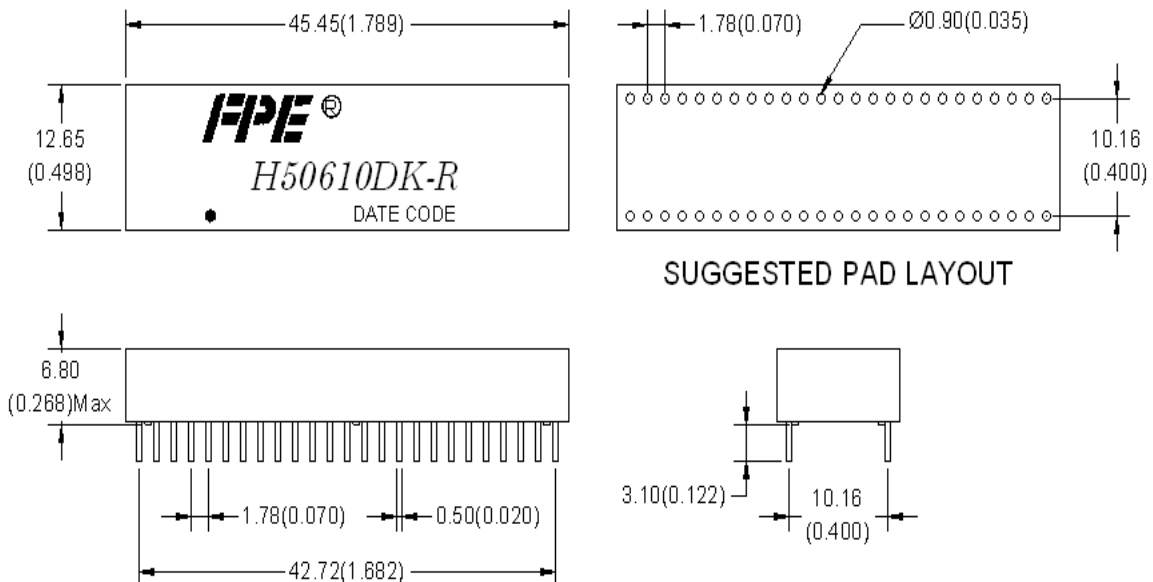


ELECTRICAL SPECIFICATIONS@25°C (Operating Temperature :0°C to 70°C)

Part Number	Turns Ratio ± 5%	Insertion Loss (dB max)	Return Loss (dB min)			CMRR (dB min)			Cross Talk (dB min)			Hipot (vrms)
		1-100MHz	1-30 MHz	30-60 MHz	60-80 MHz	1-30 MHz	30-60 MHz	60-100 MHz	1-30 MHz	30-60 MHz	60-100 MHz	
H50610DK-R	1:1	-1.0	-18	-14	-12	-40	-35	-30	-45	-35	-30	1500

MECHANICAL

H50610DK-R



Units:mm(Inches) Tolerance:xx.x0±0.25(0.010) Weight.....6.30g typ
 0.xx±0.05(0.002) Tube.....11Pcs

10/100BASE-T FIVE TRANSFORMER MODULES

SCHEMATICS

H50610DK-R

